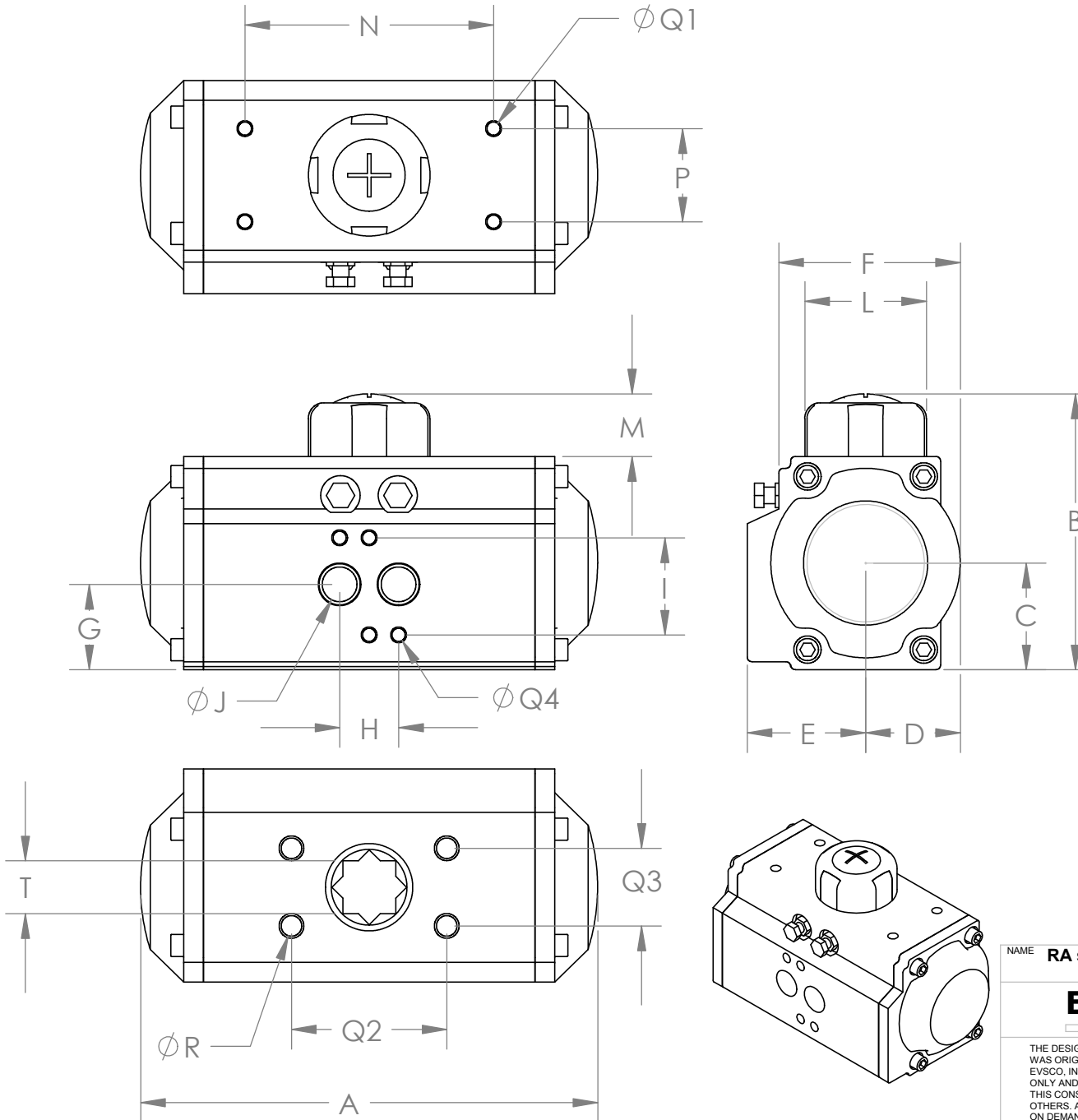


800249

REV	ECN	DESCRIPTION	DWN	DATE



	RA4	RA5	RA6
A	5.83	6.26	8.39
B	3.62	4.25	4.92
C	1.35	1.67	2.01
D	1.12	1.42	1.71
E	1.61	1.14	2.07
F	2.28	2.83	3.39
G	1.02	1.18	1.03
H	0.94	0.94	0.94
I	1.26	1.26	1.26
J	1/4NPT	1/4NPT	1/4NPT
L	Ø1.57	Ø1.57	Ø1.57
M	0.79	0.79	0.79
N	3.15	3.15	3.15
P	1.18	1.18	1.18
Q1	M5	M5	M5
Q2	1.97	1.97	1.97
Q3	0.98	0.98	0.98
Q4	M5	M5	M5
R	5/16-18	5/16-18	5/16-18
T	0.67	0.67	0.67
Torque inlbs @80psi	160	280	558

NAME RA series Pneumatic	DWN BF	CHKD
	1-25-10	
EVSCO	phone: 847.362.7068 toll free: 800.362.7068 fax: 847.362.7501	REV.
		SCALE
<small>THE DESIGN AND DISCLOSURE CONTAINED IN THIS DRAWING WAS ORIGINATED BY, AND IS THE EXCLUSIVE PROPERTY OF EVSCO, INC. IT IS FURNISHED FOR VENDOR INFORMATION ONLY AND IS NOT AN AUTHORIZATION OR LICENSE TO MAKE THIS CONSTRUCTION OR TO FURNISH THIS INFORMATION TO OTHERS. ALL DRAWINGS MUST BE RETURNED TO EVSCO, INC ON DEMAND. THIS DRAWING IS NOT TO BE REPRODUCED OR COPIED IN ANY FORM WITHOUT THE EXPRESS WRITTEN PERMISSION OF EVSCO, INC.</small>		<small>TOLERANCE UNLESS OTHERWISE SPECIFIED: TWO PLACE DECIMAL: DIM. +/- 0.02 THREE PLACE DECIMAL: DIM. +/- 0.010 ANGULAR DIM. +/- 0°-30°</small>
		DO NOT SCALE DRAWINGS

800249

REV.